

**11th January**

Corbettmaths

A is directly proportional to B squared.

When  $A = 500$ ,  $B = 10$ .

Find A when  $B = 20$ .

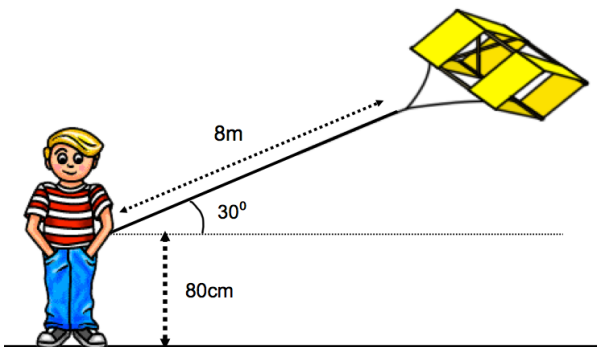
A book weighs 200g to the nearest 10g.

What is the greatest possible weight of 20 books?

Line 1 has gradient 4 and passes through the point (3, 10).

What is its equation?

Write down the equation of a line perpendicular to line 1.



The string is held 80cm above the ground.  
The kite is on a string which is 8m long.  
The string makes an angle of  $30^\circ$  with the horizontal.  
Calculate the height of the kite above the ground.