

Name: \_\_\_\_\_

Exam Style Questions

## Decimals: Addition and Subtraction



Corbettmaths

Ensure you have: Pencil, pen, ruler, protractor, pair of compasses and eraser

You may use tracing paper if needed

### Guidance

1. Read each question carefully before you begin answering it.
2. Don't spend too long on one question.
3. Attempt every question.
4. Check your answers seem right.
5. Always show your workings

Revision for this topic

## Secondary

Video 90

Video 91



1. Work out

(a)  $17.8 + 2.53$

.....

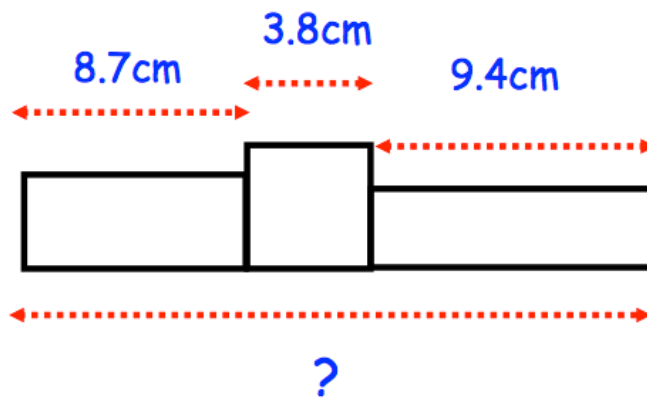
(b)  $6.2 - 1.77$

.....

(2)

---

2. Three blocks are placed together as shown below.



Find the total length of the three blocks.

.....cm

(2)

3. Work out

(a)  $1.5 + 0.36 + 10.4$

.....

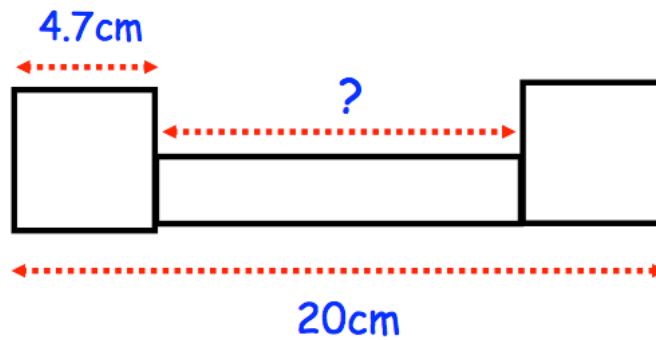
(b)  $9.2 - 1.34$

.....

(2)

---

4. Two identical squares and a rectangle are drawn below.



Find the length of the rectangle.

.....cm

(3)

5. Sebastian buys a gift which costs £18.20  
He pays with a £20 note.

(a) How much change does he receive?

.....  
**(1)**

The change is given in the smallest number of coins.

(b) What coins does Sebastian receive?

.....  
**(1)**

---

6. Add together 0.8 0.113 0.438 and 0.231

.....  
**(2)**

7. Jacqui's basic pay is £8.65 per hour.  
On a Sunday she gets an extra £1.78 per hour.

Work out how much Jacqui is paid per hour on a Sunday.

£.....  
(2)

---

8. Luke had £20 with him when he went shopping.  
He bought

2 birthday cards at £2.70 each  
1 toy at £6.50 each  
1 book at £5.75 each

How much money did he have left after he bought these goods.

£.....  
(4)

9. Chloe has a ribbon 8 metres long.

She cuts two pieces from the ribbon.  
The first piece was 1.28 metres long.  
The second piece was 0.65 metres long.

How much ribbon is left?

.....m  
**(3)**

---

10. Peter is 1.64 metres tall.  
Peter is 18 centimetres taller than Nick.

Work out Nick's height in metres.

.....m  
**(1)**

11. Shown below is a rectangle.

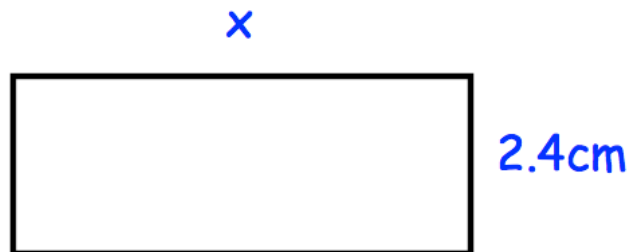


Find the perimeter of the rectangle.

.....cm  
(2)

---

12. Shown below is a rectangle with perimeter 15.2cm



Find the length of the rectangle.

.....cm  
(3)