

Name: _____

Exam Style Questions



Area: Parallelograms

Corbettmaths

Ensure you have: Pencil, pen, ruler, protractor, pair of compasses and eraser

You may use tracing paper if needed

Guidance

1. Read each question carefully before you begin answering it.
2. Don't spend too long on one question.
3. Attempt every question.
4. Check your answers seem right.
5. Always show your workings

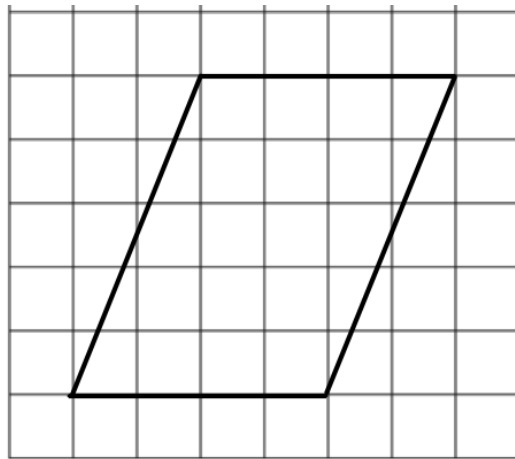
Revision for this topic

www.corbettmaths.com/contents

Video 44



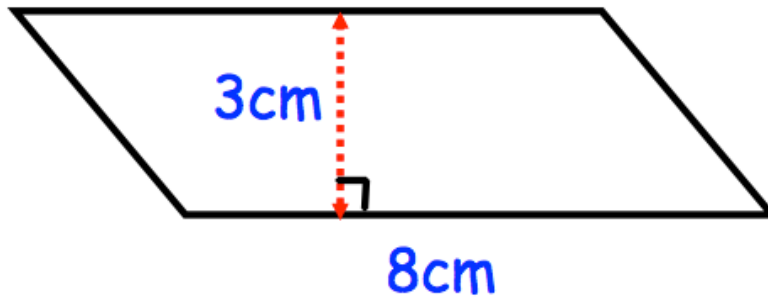
1. The diagram shows a parallelogram on a centimetre grid.



Work out the area of the parallelogram.
State the units of your answer.

.....
(3)

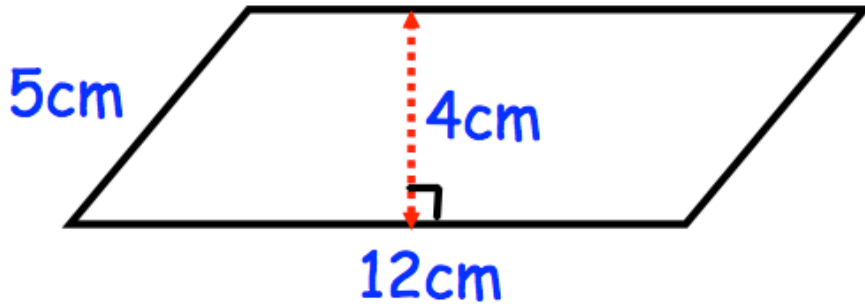
2. Shown below is a parallelogram



Work out the area of the parallelogram.
State the units of your answer.

.....
(3)

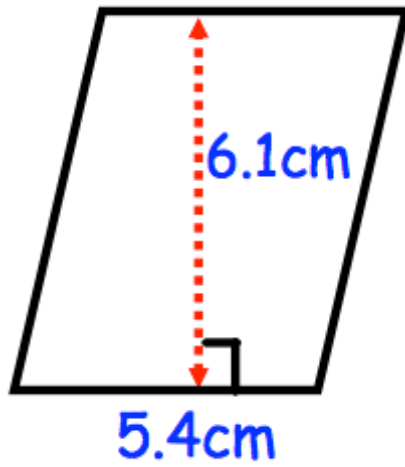
3.



Calculate the area of this parallelogram.

.....cm²
(2)

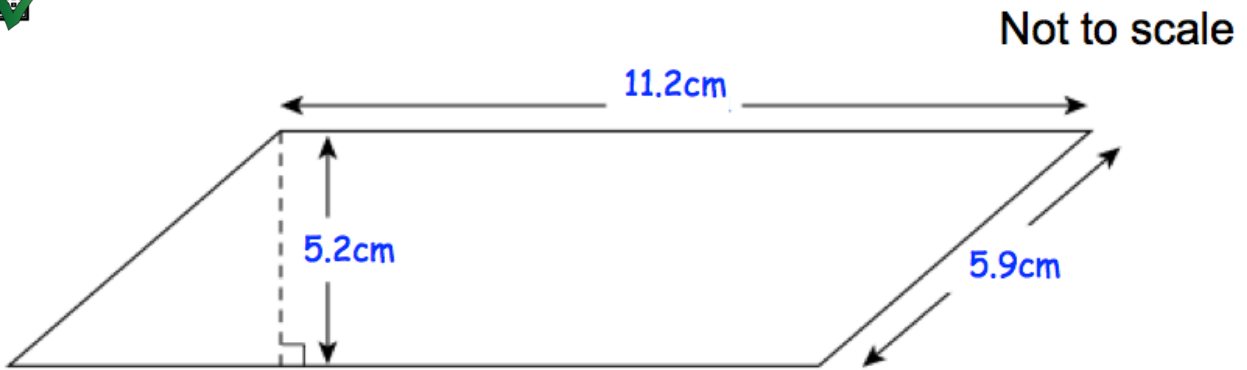
4.



Work out the area of the parallelogram.

.....cm²
(2)

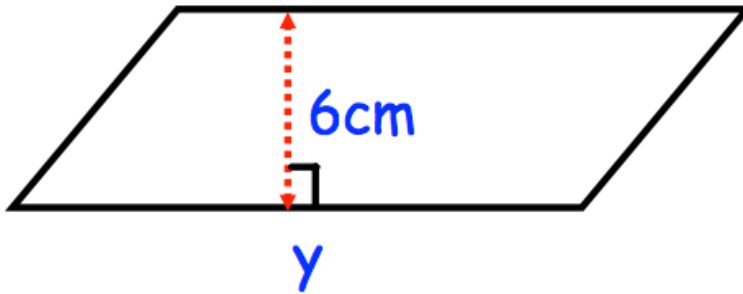
5. This diagram shows a parallelogram.



Calculate the area of this parallelogram.

.....cm²
(2)

6. This diagram shows a parallelogram.

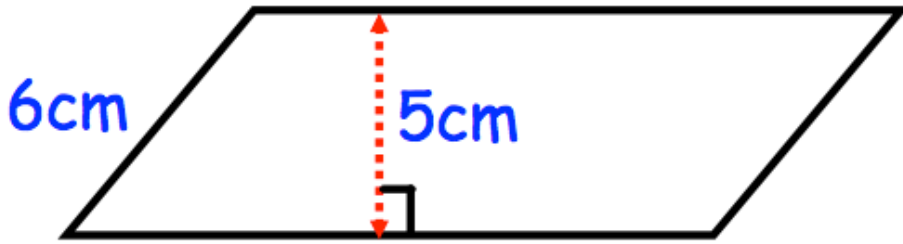


The area of the parallelogram is 54cm².

Find the length of the base, y.

.....cm
(2)

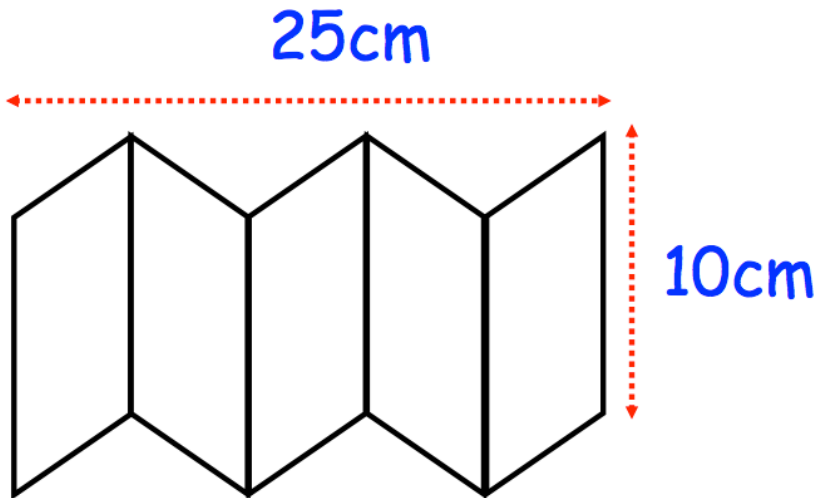
7. The diagram shows a parallelogram that has perimeter 30cm.



Calculate the area of the parallelogram.

.....cm²
(4)

8.

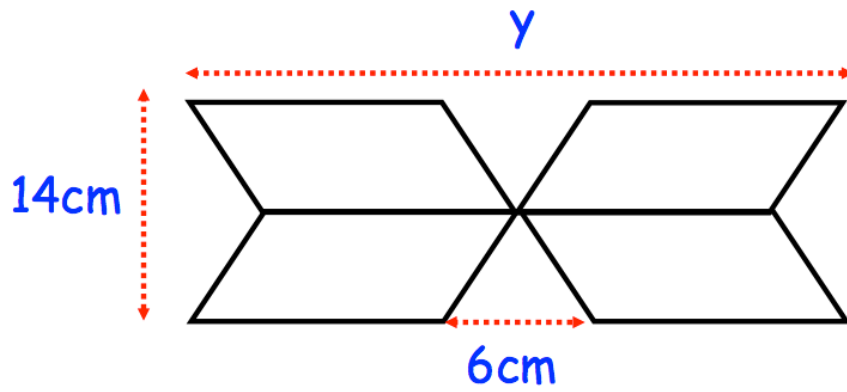


The diagram shows a logo that is made up of 5 identical parallelograms.

Find the area of one parallelogram.

.....cm²
(3)

9. A shape is made from 4 congruent parallelograms.

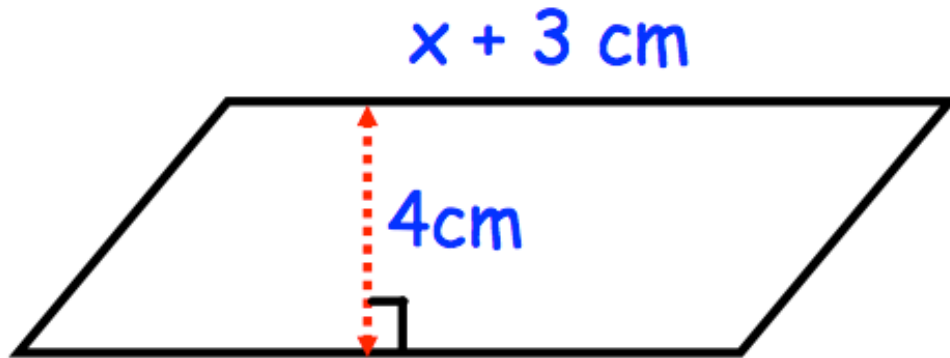


The area of the shape is 308cm^2 .

Work out the length labelled y .

.....cm
(5)

10. Shown below is a parallelogram with length $x + 3$ cm and perpendicular height 4cm.



The area of the parallelogram is 30cm^2

Find the size of x .

.....cm
(4)